

Manual

WARNING

The Safety warnings and Instructions included in this user guide cannot cover all possible conditions and situations that could occur. Caution and care must be exercised when using or maintaining any personal electronic product. To reduce the risk of injury, always use this product in accordance with the manufacturer's instructions. Take care when using any personal electronic or electrical products. Before using the product read all the User Guide carefully. To reduce the risk of injury, always use this product in accordance with the user guide.

Do not use this product under the following circumstances:

- i) Where the use of electronic devices is prohibited;
- ii) On or near heat sources i.e. radiators or fires;
- iii) If it is damaged, tampered or broken
- iv) If it has been exposed to excessive heat or moisture.

ATTENTION

- Do not drop this product or subject it to strong shock
- Keep away and supervise children to ensure that they do not play with this product.
- Switch OFF this product in places where flammable materials, liquids and gases are present
- Keep away from strong magnetic/electric fields .
- Do not touch this product if it becomes, wet or immersed in any liquid.
- This product works exclusively with special designed MC tobacco sticks. Never use the device with similar products.
- When you have finished heating it is required to rotate the tobacco stick for 1-2 circles. When the tobacco stick becomes loose, it is required to directly pull out the tobacco stick to prevent the tobacco from staying inside the heating chamber.
- Please do not directly place the brush inside the heating chamber while it's still on or hot to prevent any damage to the brush.
- If the device is left unused for more than three months, the voltage will go down due to self-discharge. Always make sure to charge the battery before use.
- This product is not intended for use by persons with reduced physical, sensory or mental capabilities or lack of knowledge unless they have been given supervision or instructions to use this product in a safe way and understand the hazards involved.
- This product uses lithium batteries. Therefore please obey the local regulations upon abandonment of the product.

Product features

This product is an electric heating device which integrates many advanced technologies. It is intended to be used with MC tobacco sticks and will bring you a comfortable and unique heating experience.

Main components

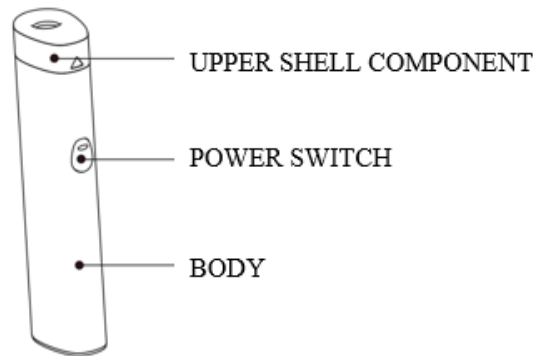


Figure 1 Main components

PRODUCT LIST

Heating device ×1
Charging Cable ×1
Cleaning Brush ×1
User Guide ×1
Quality certificate ×1
Warranty card ×1

Technical Parameters

Model: Mini 2.0
Size of device: 91mm x 24mm x 16mm
Battery capacity: 650mAh
Charging method: Type-c charging
Charging voltage: DC 5V/500mA

Getting Started

1. Charging

Please insert the charging cable that we have provided to the charging station.(as shown in Figure 2). The LED light will display the charging information, a full charge will take up to 30 minutes. While charging the indicator light will turn blue. The indicator light will turn off once the battery is fully charged.

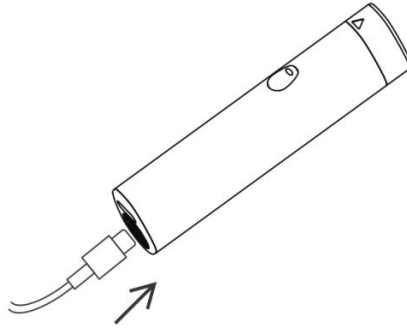


Figure 2 Charging of product

To check the battery status press the button once: if the indicator light turns blue the battery is fully charged; if it turns green the battery has sufficient power left; if it turns yellow the battery power left is low; if it turns red the battery is out of power.

2. Start of heating device

To start heating first gently insert the tobacco stick into the heating device. Then press the start button for 2 seconds. The heating device will vibrate and the green indicator light flashes: this is the sign for the preheating stage. When the preheating is finished the heating device will vibrate again and the green light will be on continuously. You can now start vaping. The heating device will automatically stop working after 4 minutes of heating or after taking 12 puffs.

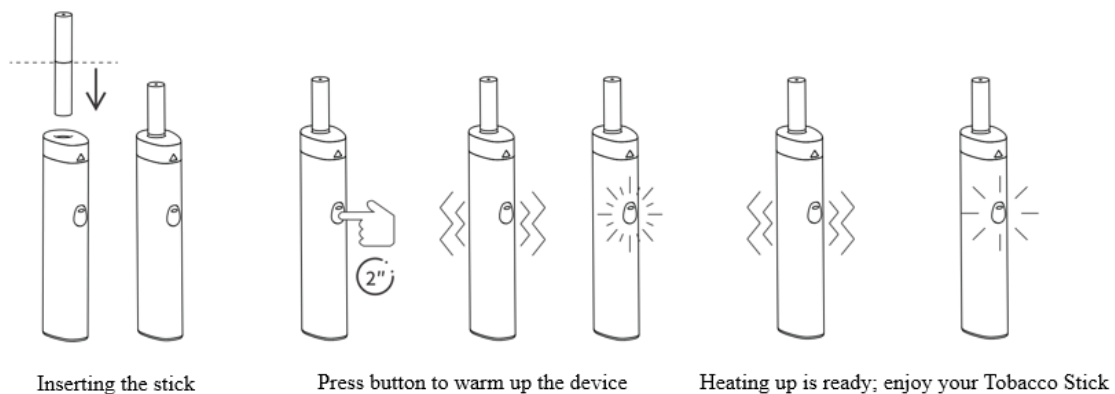


Figure 3 Start of heating device

3. To switch off

Hold and press the button for 2 seconds to switch off the device. The device vibrates and the indicator light turns off.

4. Tobacco stick

When a tobacco stick is finished, please rotate the tobacco stick for 1-2 cycles first before removing it.

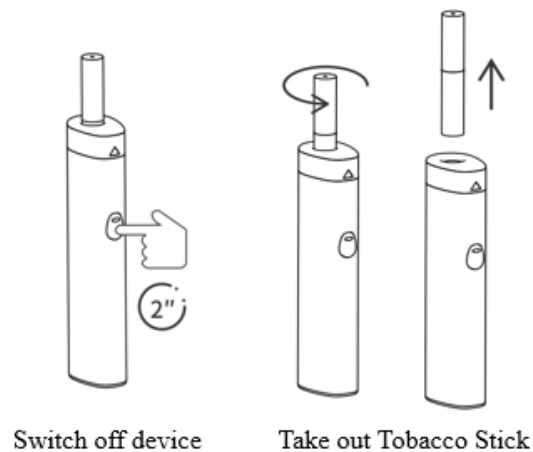


Figure 4 Switch off heating device / remove Tobacco Stick

5. Cleaning

After the removal of the tobacco stick and when the heating element is completely cooled down, it is required to clean the device with the provided cleaning brush. For the specific cleaning method, we refer to the figure below.

Cleaning method

After the removal of the tobacco stick and when the heating device is completely cooled off, remove the upper shell from the body and clean it with the cleaning brush.

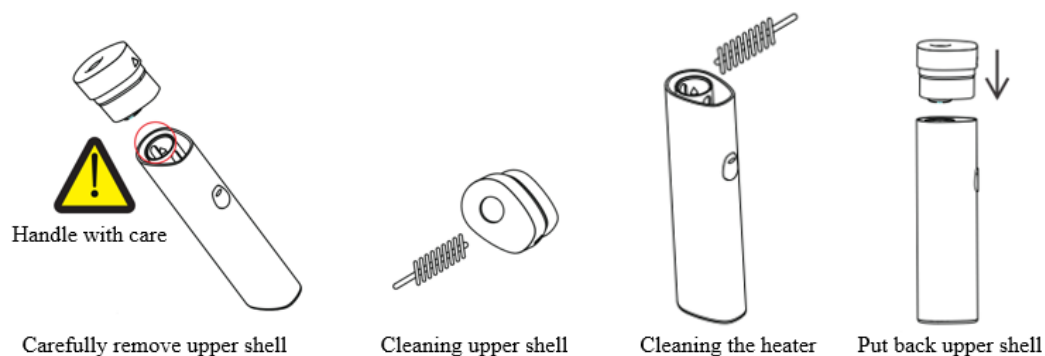


Figure 5 Cleaning process

CUSTOMER CARE & AFTER-SALES SERVICE

In case of any problems or malfunctions in the use of this product, please contact our customer service immediately. Go to our company websites: www.heatnotburncenter.com or www.hnbmychoice.com for further details. If your heating device does not perform to your satisfaction go to one of the above websites and complete a product claim form.

The extra legal rights of the consumer

The warranty rights contained in this warranty card are the additional rights beyond the consumer rights and protection enjoyed by the consumer in his/ her own country.

The coverage of this voluntary warranty

You can choose without affecting your statutory rights to repair or replace any components of the device which are defective in terms of material or workmanship when used in accordance with the User Guide and which are subject to a valid Voluntary Warranty claim. The provisions of this Voluntary Warranty are only valid in the country of purchase.

Duration of the voluntary warranty

Please make sure the product is unopened and unused at the time of purchase. The warranty is valid for 12 months from the date of purchase. The warranty parts are as follows: heating device, charging cable and cleaning brush.

The following are excluded from the terms of this Voluntary Warranty:

1. Damage to product components caused by normal use;
2. Surface damage (such as scratches, dents and broken plastic);
3. Damage to the components caused by a power surge, misuse, contact with liquid and fire, etc.;
4. Malfunction due to use with non-compatible product;
5. Damages or malfunction caused by opening, modifying and/or repairing the product components, either by a user or by a technical service provider not accredited by the manufacturer;
6. Damage or malfunction caused by failure to use as described in the User Guide;
7. Damage or malfunction caused by fire, earthquake, and other natural disasters;
8. Battery aging due to normal charging and discharging;
9. The product has exceeded the warranty period.

This product will be repaired or replaced for free during the warranty period. Please contact customer service, if necessary. You may be asked to provide a copy of your purchase invoice, so we advise you to retain this for the duration of the warranty period..

Disposal of waste batteries and Electrical & Electronic Equipment



This symbol on the product or its batteries or its packaging means that this product and any batteries it contains must not be disposed of with your household waste. Instead, it is your responsibility to hand this over to an applicable collection point for the recycling of batteries and electrical and electronic equipment. This separate collection and recycling will help to conserve natural resources and prevent potential negative consequences for human health and the environment due to the possible presence of hazardous substances in batteries and electrical and electronic equipment, which could be caused by inappropriate disposal. For more information about where to drop off your batteries and electrical and electronic waste, please contact your local city/municipality office, your household waste disposal service, or the shop where you purchased this product. Rechargeable products contain a Lithium-ion Battery.

Hereby, HNB Center BV declares that HNB's MyChoice mini 2.0 is in compliance with the essential requirements and other relevant provisions of Directive 2014/53/ EU. The official Declaration of Conformity may be found at: <https://www.heatnotburncenter.com/declarationofconformity>

FAQ

Q: Can I smoke a combustible cigarette with the heating device?

A: No. This product works exclusively with special designed MC heat-not-burn tobacco sticks.

Q: What can I do if the tobacco stick cannot be inserted into the Sleeve of Holder?

A: Check if there is any tobacco left from a previous stick in the Cap. If there is, clean the product according to our cleaning guide, then insert a new tobacco stick. If the problem remains, please contact customer care.

Q: Does the ambient temperature affect the product?

A: If the product is exposed to extreme temperatures for a certain period of time, it might stop working until it is back within normal ambient conditions.

Q: The indicator light is red and flashes: what does this mean?

A: This means the device is not working properly. Please check if your device is still under warranty (see 'duration of the voluntary warranty' in this manual). If it is go to one of the following websites: www.heatnotburncenter.com or www.hnbmychoice.com and complete a claim form.